

SCHEDULE 40 CABLE DRAIN WITH FLEXIBLE OVERFLOW

BWO40S22P2 ~ BWO40S22A2

BWO40S45P2 ~ BWO40S45A2

BWO40S61P2 ~ BWO40S61A2

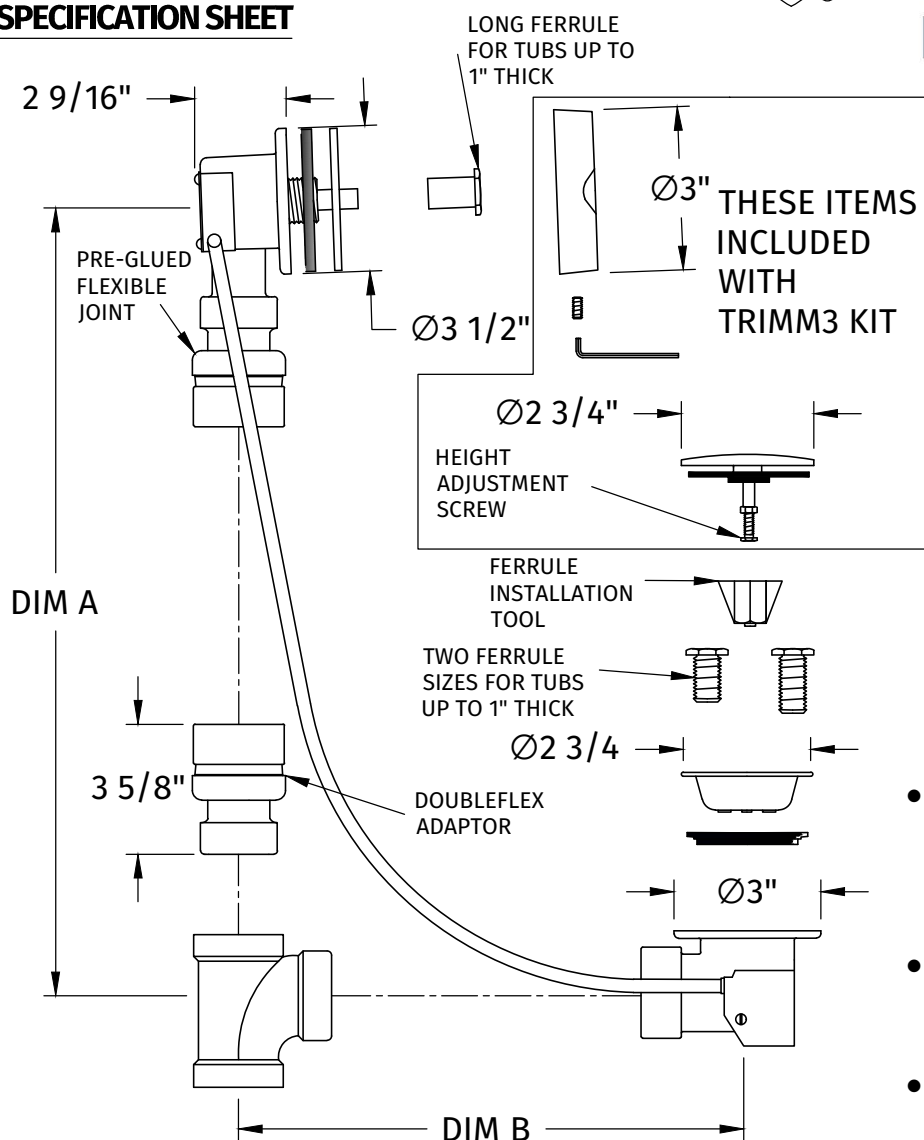


A McAlpine Company

Mountain Plumbing Products



SPECIFICATION SHEET



- AVAILABLE IN ABS AND PVC (INDICATED BY THE LETTER A OR LETTER P IN THE MODEL NUMBER)
- FEATURES FLEXIBLE PRE-GLUED BALL JOINT ON OVERFLOW
- INCLUDES AN ADDITIONAL FLEXIBLE ADAPTER FOR SCENARIOS IN WHICH THE DRAIN IS MISALIGNED
- FITS TUBS UP TO 1" THICK
- INTENDED FOR TUBS WITH Ø2" DRAIN OPENING
- Ø1 1/2" SCHEDULE 40 PIPE NOT SUPPLIED

| MODEL NO. | DIM A* | DIM B* | CABLE LENGTH |
|----------------|---------|--------|--------------|
| BWO40S22A2(P2) | 12"-22" | 7"-12" | 27" |
| BWO40S45A2(P2) | 22"-27" | 7"-12" | 39" |
| BWO40S61A2(P2) | 28"-33" | 7"-12" | 50" |

*VARIES DEPENDING ON TUB SIZE

WARRANTY

FOR WARRANTY INFO PLEASE VISIT WWW.MOUNTAINPLUMBING.COM/PAGE/RESOURCES/WARRANTY

FINISH CARE & MAINTENANCE

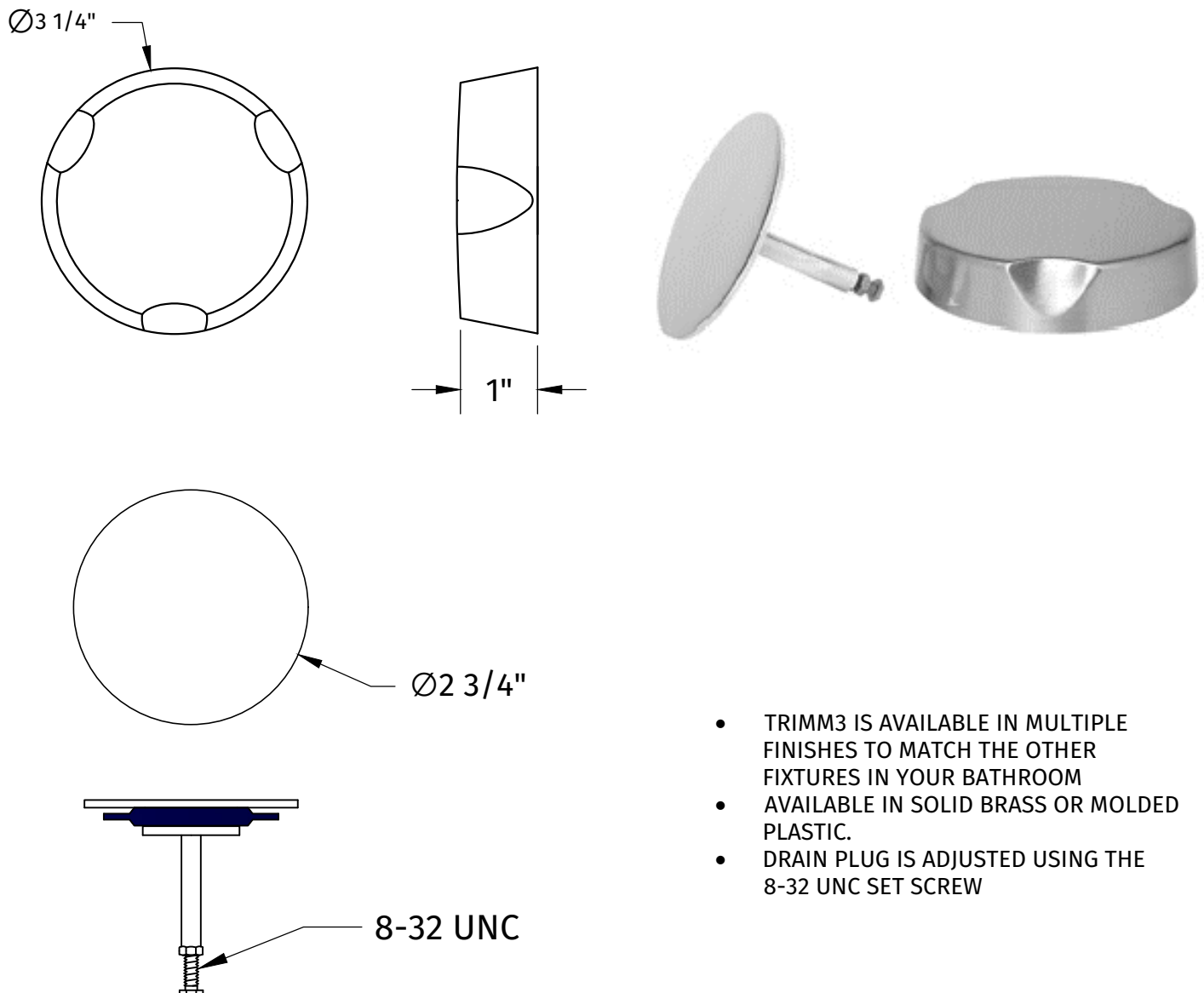
NEVER USE ANY HARSH ALKALI, ACID BASED DETERGENTS OR CLEANERS SUCH AS SOFT SCRUB®, SCRUBBING BUBBLES® OR COMET® TO CLEAN. DO NOT USE BRILLO® AND SCOTCH BRITE® PADS. THESE WILL ALL HARM THE FINISH. TO CLEAN, USE ONLY A DAMP SOFT CLOTH AND WIPE USING A SOFT CLOTH. STANDARD WINDEX® CAN ALSO BE USED SPARINGLY. IT IS NOT NECESSARY TO WIPE HARD TO REMOVE SPOTS. TO MAINTAIN THE FINISH, WIPE WITH A SOFT DRY CLOTH AFTER USE. AN OCCASIONAL COAT OF PURE CARNAUBA WAX WITHOUT CLEANERS WILL HELP PROTECT THE FINISH.

SPECIFICATIONS SUBJECT TO CHANGE WITHOUT NOTICE

TRIMM3

ROUND TRIM FOR MOUNTAIN CABLE DRAINS

SPECIFICATION SHEET



WARRANTY

FOR WARRANTY INFO PLEASE VISIT WWW.MOUNTAINPLUMBING.COM/PAGE/RESOURCES/WARRANTY

FINISH CARE & MAINTENANCE

NEVER USE ANY HARSH ALKALI, ACID BASED DETERGENTS OR CLEANERS SUCH AS SOFT SCRUB®, SCRUBBING BUBBLES® OR COMET® TO CLEAN. DO NOT USE BRILLO® AND SCOTCH BRITE® PADS. THESE WILL ALL HARM THE FINISH. TO CLEAN, USE ONLY A DAMP SOFT CLOTH AND WIPE USING A SOFT CLOTH. STANDARD WINDEX® CAN ALSO BE USED SPARINGLY. IT IS NOT NECESSARY TO WIPE HARD TO REMOVE SPOTS. TO MAINTAIN THE FINISH, WIPE WITH A SOFT DRY CLOTH AFTER USE. AN OCCASIONAL COAT OF PURE CARNAUBA WAX WITHOUT CLEANERS WILL HELP PROTECT THE FINISH.

SPECIFICATIONS SUBJECT TO CHANGE WITHOUT NOTICE